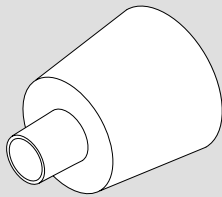


# DK Cones SK Anchor Cones

Instructions for Use

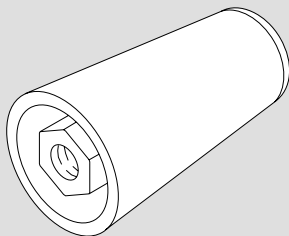


**DK Cone DW 15/55**  
Item no 031636

**DK Cone DW 15/35**  
Item no 031635

**DK Cone DW 20/55**  
Item no 031637

**DK Cone DW 26/55**  
Item no 031638



**SK Anchor Cone DW 15**  
Item no 031645

**SK Anchor Cone DW 20**  
Item no 031646

**SK Anchor Cone DW 26**  
Item no 031647

# DK and SK Cones

## Fixing DK Cones

1. Put both DK Cones on the spacer tube.



**When using the DK Cones DW 15, put an SK Sealing Washer UNI DW 15 on both ends!**

**Calculating length of spacer tube:**

DK Cone DW 15/55

DK Cone DW 20/55

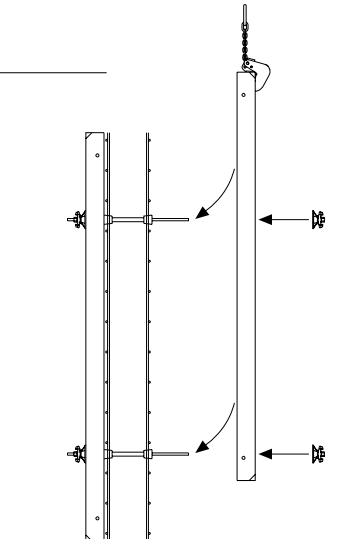
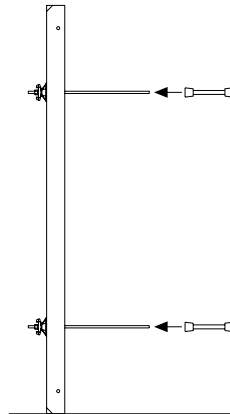
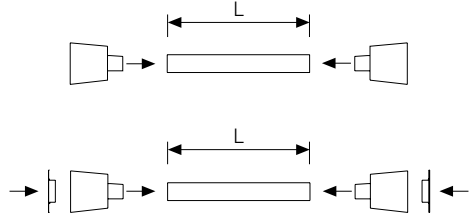
DK Cone DW 26/55

$L = \text{wall thickness} - 2 \times 55 \text{ mm}$

DK Cone DW 15/35

$L = \text{wall thickness} - 2 \times 35 \text{ mm}$

2. Fix assembled tie fittings to the formwork, fix reinforcement, close formwork and tighten tie fittings with wing nut pivot plate.



# DK and SK Cones

## Fixing SK Anchor Cones



1. Fixing without spacer tube, lost tie rod.

Screw tie cones onto the tie rod, then put an SK Sealing Washer on both ends!

**Calculating length of tie rod:**

**SK Anchor Cone DW 15:**

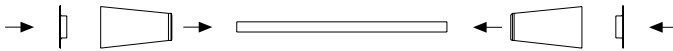
$L = \text{wall thickness} - 2 \times 55 \text{ mm}$

**SK Anchor Cone DW 20:**

$L = \text{wall thickness} - 2 \times 65 \text{ mm}$

**SK Anchor Cone DW 26:**

$L = \text{wall thickness} - 2 \times 75 \text{ mm}$



2. Fixing with spacer tube, recoverable tie rod.

**Screw on first anchor cone to the tie rod, slide sleeve with 2 SK tube seals over tie rod and screw on the second anchor cone to the tie rod; subsequently, attach an SK Sealing Washer on both sides!**

**Calculating length of spacer tube:**

**SK Anchor Cone DW 15:**

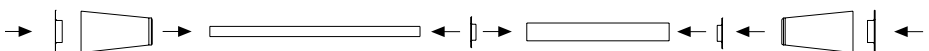
$L = \text{wall thickness} - 2 \times 106 \text{ mm}$

**SK Anchor Cone DW 20:**

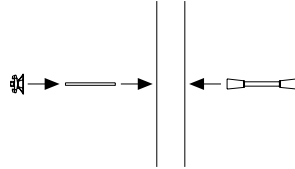
$L = \text{wall thickness} - 2 \times 129 \text{ mm}$

**SK Anchor Cone DW 26:**

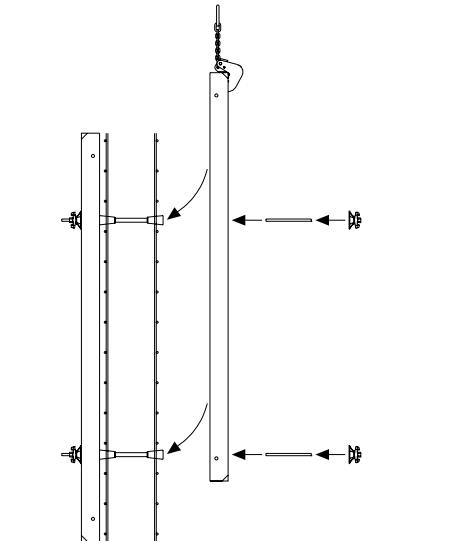
$L = \text{wall thickness} - 2 \times 140 \text{ mm}$



3. Fix tie point fully assembled with tie rod and wing nut pivot plate to formwork panel.



4. Fix reinforcement, close formwork and tighten tie point with tie rod and wing nut pivot plate.



**PERI GmbH**  
**Formwork Scaffolding Engineering**  
P.O. Box 1264  
89259 Weissenhorn  
Germany  
Tel +49 (0)73 09.9 50-0  
Fax +49 (0)73 09.9 51-0  
info@peri.com  
www.peri.com